

## Product Discontinuation Notices

August 1, 2011

Photoelectric Sensors

No. 2011243E

### Discontinuation Notice of Line Sensors. Type F3W-C series.

#### Product Discontinuation



Line Sensor  
**Type F3W-C series**



#### Recommended Replacement

Picking Sensor  
**Type F3W-D052A**

Safety Light Curtain  
**Type F3SJ-E[ ] [ ] [ ] [ ] N25 series**

**Discontinuation date : The end of March, 2012**

#### Caution on recommended replacement

About the change to Type F3W-D

- Body color and dimensions and mounting dimensions and characteristics are different.
- Wire connection and operation ratings are a similarity.

About the change to Type F3SJ-E

- Dimensions and wire connection and mounting dimensions and characteristics and operation are different.
- Body color is a similarity.

#### Difference from discontinued product

Model	Body Color	Dimensions	Wire connection	Mounting Dimensions	Characteristics	Operation ratings	Operation methods
F3W-D052A	--	--	*	--	--	*	-
F3SJ-E[ ] [ ] [ ] [ ] N25	*	--	--	--	--	--	-

\*\* : Fully compatible

\* : The change is a little/Almost compatible

-- : Not compatible

- : No corresponding specification

## Product Discontinuation and recommended replacement

### Main Units

(Please inquire details of the recommendation and substitution commodities)

#### Line Sensors F3W-C series

Product discontinuation	Recommended replacement
F3W-C044	F3W-D052A 2M
F3W-C084	F3SJ-E[ ] [ ] [ ] [ ] N25 series
F3W-C124	
F3W-C164	
F3W-C204	
F3W-C244	
F3W-C044-D	
F3W-C044-L	-
F3W-C084-D	-
F3W-C084-L	-
F3W-C124-D	-
F3W-C124-L	-
F3W-C164-D	-
F3W-C164-L	-
F3W-C204-D	-
F3W-C204-L	-
F3W-C244-D	-
F3W-C244-L	-

## Product Discontinuation and recommended replacement

### Accessories

#### Mounting Brackets

Product discontinuation	Recommended replacement
F39-L4	-
F39-L5	-
F39-Z1 1M	-
F39-Z2 1M	-

#### Connector

Product discontinuation	Recommended replacement
F39-JN	-

#### Sensor I/O Connector

Product discontinuation	Recommended replacement
F39-J1 3M	-
F39-J2 7M	-
F39-J3 10M	-
F39-J4 15M	-

#### Lens cover

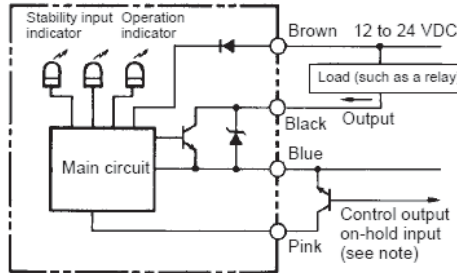
Product discontinuation	Recommended replacement
F39-H1	-
F39-H2	-
F39-H3	-
F39-H4	-
F39-H5	-
F39-H6	-

## Wire Connection

### Product discontinuation Type F3W-C series

#### Receiver

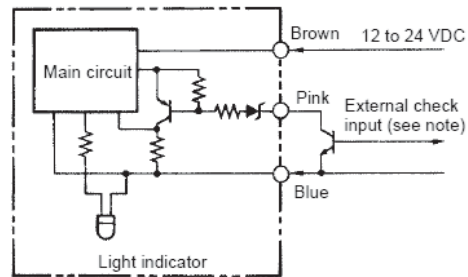
F3W-A□□□-D, F3W-C□□□-D  
F3W-B□□□-D



Note: Output will be kept on hold if the terminal is connected to 0V.

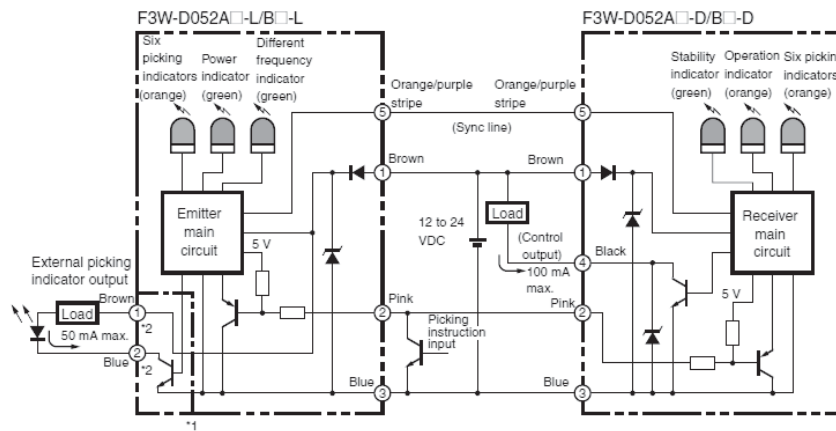
#### Emitter

F3W-A□□□-L, F3W-C□□□-L



Note: The light indicator will be OFF and the Emitter will stop emitting light if the terminal is connected to 0V. If the terminal is open, the light indicator will be ON and the Emitter will start emitting light.

### Recommended replacement Type F3W-D052A



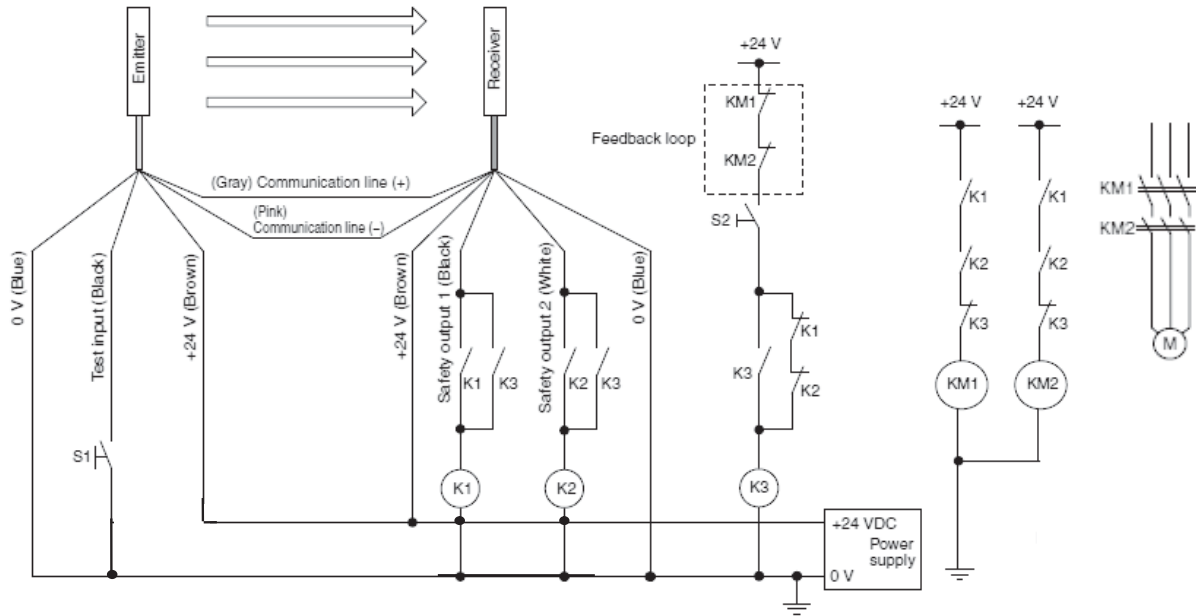
Note: The circled numbers represent the pin numbers for Pre-wired Connector Models.

\*1. The sections surrounded by single-dashed lines are applicable to the F3W-D052AP-L/BP-L only.

\*2. The circled numbers represent external picking indicator output pin numbers.

## Wire Connection

### Recommended replacement Type F3SJ-E□□□□N25



- S1 : External test/lockout reset switch (connect to 0 V if a switch is not required)
- S2 : Reset switch
- K1, K2, K3 : Safety relay with force-guided contact (G7SA)
- KM1, KM2 : Safety relay with force-guided contact (G7SA) or magnetic contactor
- M : 3-phase motor