

Product Discontinuation Notices

Photoelectric Sensors

Issue Date
January 5, 2015

No. 2015001CE

Discontinuation Notice of Built-in Amplifier Photoelectric Sensor (Medium Size) type E3S-A series.

Product Discontinuation

Built-in Amplifier Photoelectric Sensor
(Medium Size)



Model E3S-AT11-M1J 1M
Model E3S-AT11-M1J 0.5M
Model E3S-AD14 2M



Recommended Replacement

No recommended replacement

[Discontinuation date]

The end of March, 2015

[Product Discontinuation and recommended replacement]

Product discontinuation	Recommended replacement
E3S-AT11-M1J 1M	No recommended replacement
E3S-AT11-M1J 0.5M	No recommended replacement
E3S-AD14 2M	No recommended replacement

[Body color]

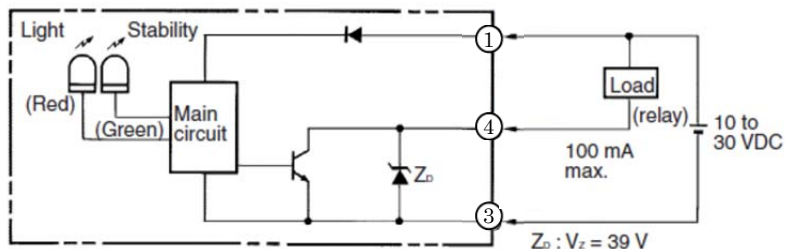
Product discontinuation Model E3S-A series
Black

[Wire connection]

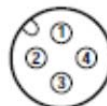
Product discontinuation
Model E3S-A series

E3S-AT11-M1J

Receiver

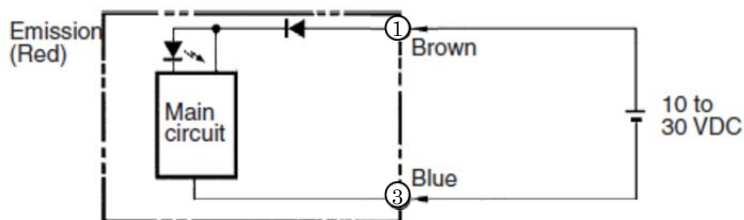


Connector

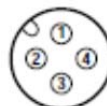


Pin No. 2 is open.

Emitter

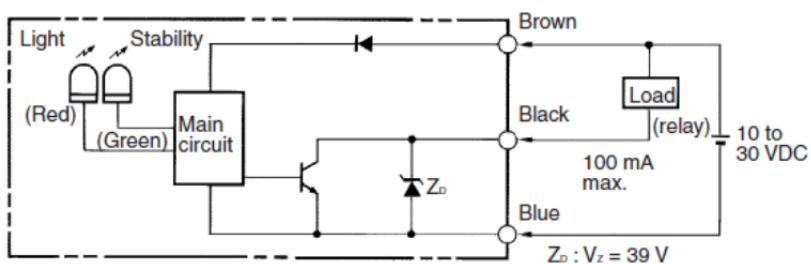


Connector



Pin No. 2 and No.4 are open.

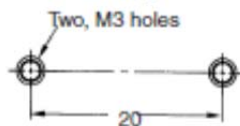
E3S-AD14



[Mounting dimensions]

Product discontinuation
Model E3S-A series

Mounting Holes



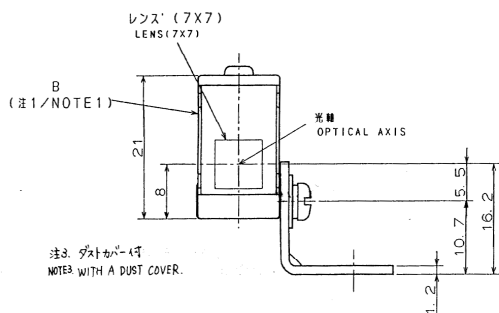
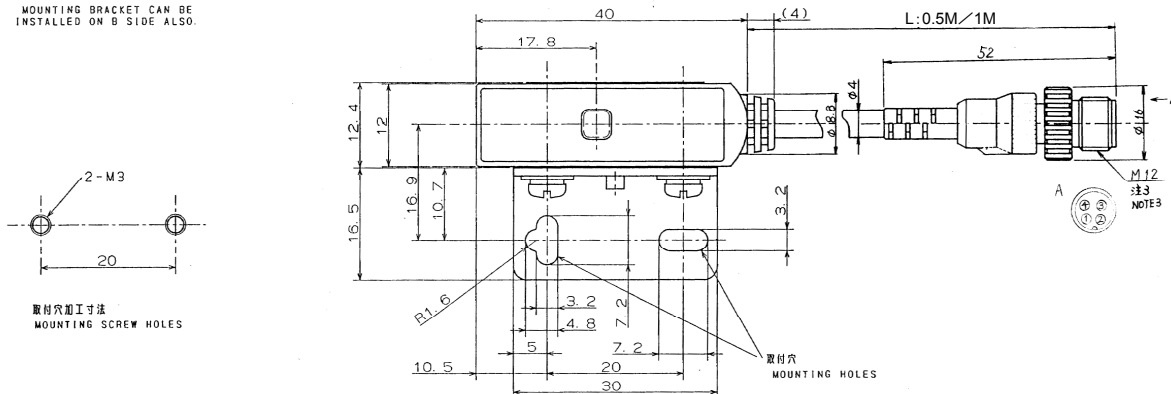
[Dimensions]

Product discontinuation
Model E3S-A series

E3S-AT11-M1J

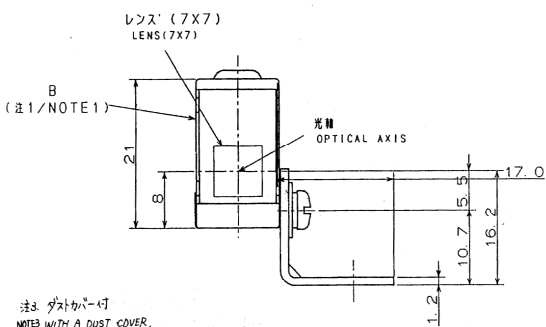
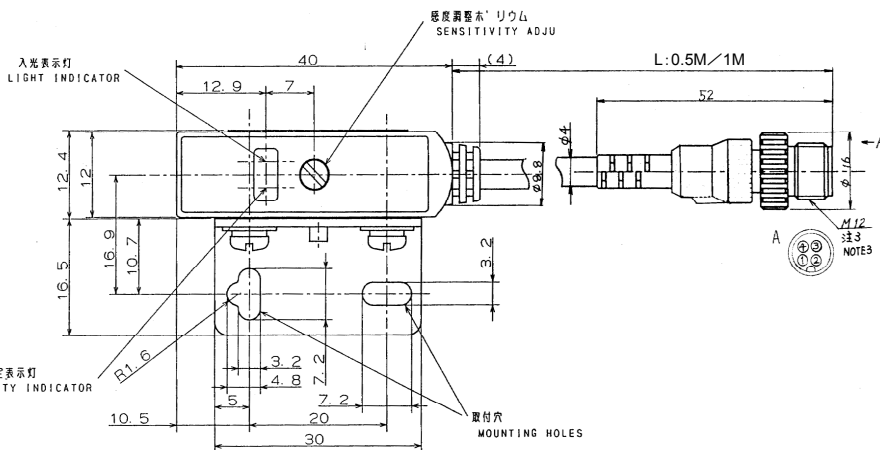
Emitter

注1/NOTE1. B種ニモ 取付金具使用可能
MOUNTING BRACKET CAN BE
INSTALLED ON B SIDE ALSO.



Receiver

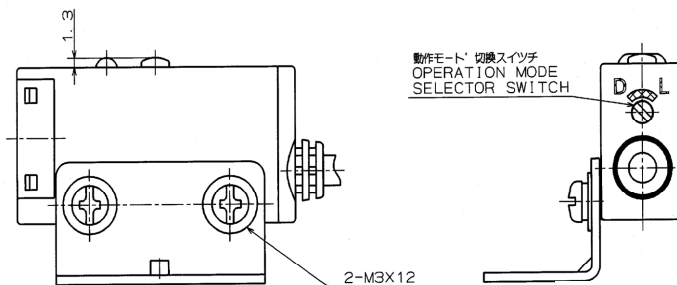
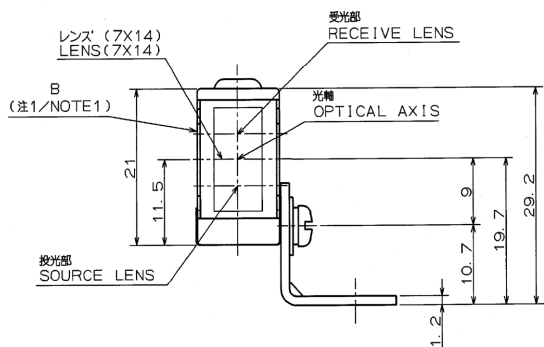
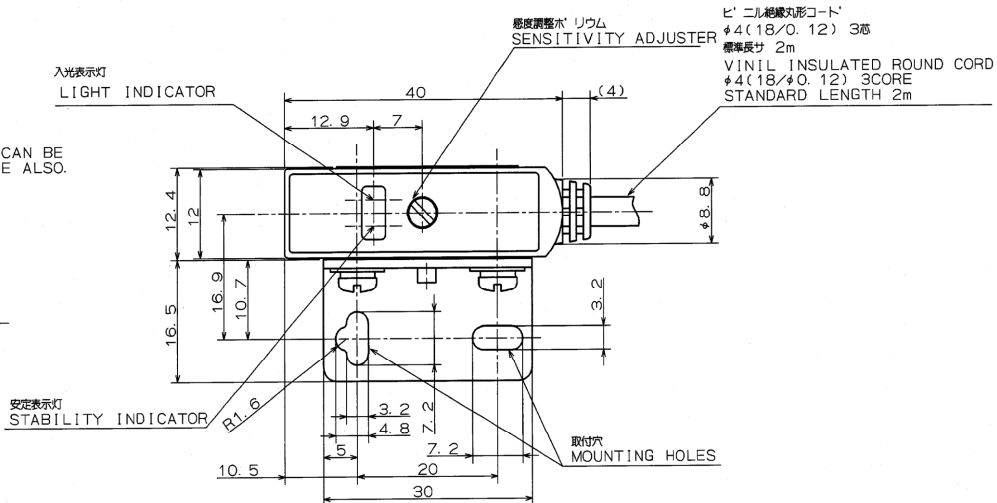
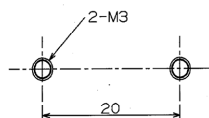
注1/NOTE1. B種ニモ 取付金具使用可能
MOUNTING BRACKET CAN BE
INSTALLED ON B SIDE ALSO.



Product discontinuation
Model E3S-A series

E3S-AD14

注1/NOTE1. 目盛ニモ 取付金具使用可能
MOUNTING BRACKET CAN BE
INSTALLED ON B SIDE ALSO.



[Characteristics]

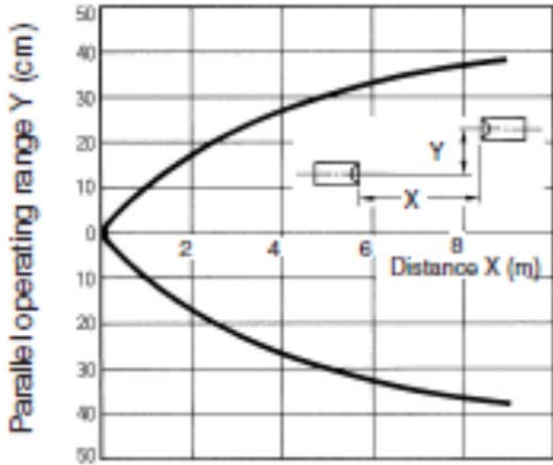
Item	Sensing method	
	Product discontinuation Model E3S-A series	
	Through-beam E3S-AT11-M1J	Diffuse reflective E3S-AD14
Sensing distance	7 m	200 mm (White mat paper 200 × 200 mm)
Standard sensing object	10 mm min.	-
Directional angle	3 to 15 degrees	-
Wavelength of LED light source	700 nm (red)	880 nm (infrared)
Power supply voltage	10 to 30 V DC, ripple: 10% max.	
Current consumption	40 mA max. (emitter and receiver) plus approx.	35 mA max.
Control output	30 VDC, 100 mA max. (residual voltage: 1 V max.) Open collector NPN open collector current output Dark-ON or Light-ON (switchable)	
Response time	0.5 ms max. for both operation and release	2 ms max. for both operation and release
Sensitivity adjustment	Two-turn (endless) sensitivity adjustor with indicator	
Ambient illumination	Incandescent lamp: Illumination on optical spot: 5,000 lx max. Sunlight: Illumination on optical spot: 10,000 lx max.	
Ambient temperature	Operating: -25°C to 55°C (with no icing) Storage: -40°C to 70°C (with no icing)	
Ambient humidity	Operating: 35% to 85% Storage: 35% to 95%	
Insulation resistance	20 MΩ min. (at 500 V DC)	
Dielectric strength	1,000 V AC, 50/60 Hz for 1 min	
Vibration resistance	Destruction: 10 to 55 Hz, 1.5-mm double amplitude (30G) 2 hrs each in three directions	
Shock resistance	Destruction: Approx. 50G 3 times each in three directions	
Enclosure ratings	IEC: IP67; NEMA: 4X	
Connection	Pre-wired M12 connector models	Cord connected
Materials	Case: Polybutylene terephthalate Lens: Denaturated polyallalate Mounting bracket: Stainless steel (SUS304)	
Attachments	Mounting bracket, sensitivity adjustor knob, screws, sensitivity adjustor cover, Instruction manual	

[Operation ratings]

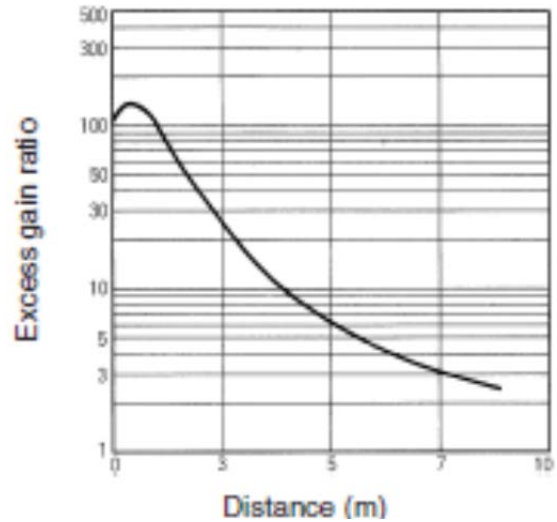
Product discontinuation
Model E3S-A series

E3S-AT11-M1J

Parallel Operating Range (Typical)

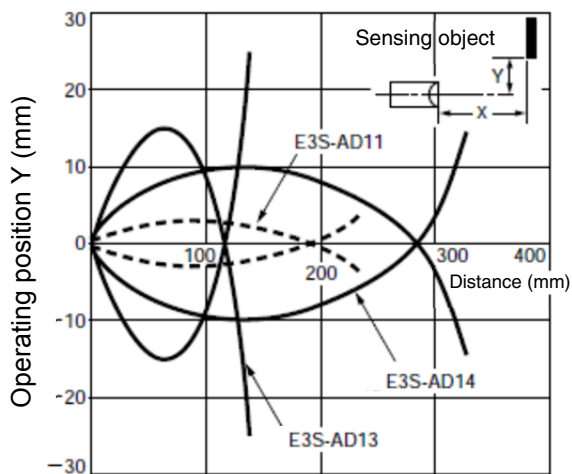


Excess Gain vs. Set Distance (Typical)



E3S-AD14

Operating Range (Typical)



Specifications and prices in this product news are as of the issue date and are subject to change without notice. Only main changes in specifications are described in this document. Please be sure to read the relevant catalogs, datasheets, product specifications, instructions, and manuals for precautions and necessary information when using products.