

Product Discontinuation Notices

Proximity Sensors

Issue Date
July 1, 2014

No. 2014060CE

Discontinuation Notice of Proximity Sensor E2F-X[]Y[]-53-US series.

Product Discontinuation

Proximity Sensors

Model E2F-X10Y1-53-US

Model E2F-X10Y2-53-US

Model E2F-X5Y1-53-US

Model E2F-X5Y2-53-US



Recommended Replacement

Proximity Sensors

Model E2F-X10Y1-53 or
Model E2F-X10Y1-US

Model E2F-X10Y2-53 or
Model E2F-X10Y2-US

Model E2F-X5Y1-53 or
Model E2F-X5Y1-US

Model E2F-X5Y2-53 or
Model E2F-X5Y2-US

[Discontinuation date]

The end of March, 2015

[Caution on recommended replacement]

Type -US is the load short circuit protection feature of a substitute is lost.

[Difference from discontinued product]

Recommended replacement Model	Body Color	Dimensions	Wire connection	Mounting Dimensions	Characteristics
E2F-X[]Y[]-53	**	**	**	**	**
E2F-X[]Y[]-US	**	**	**	**	*

** : Compatible

* : The change is a little/Almost compatible

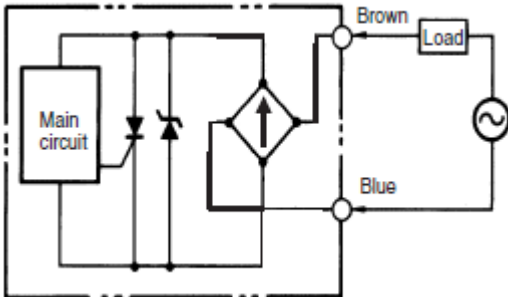
-- : Not compatible

- : No corresponding specification

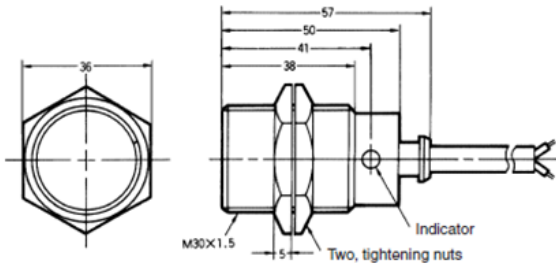
[Product Discontinuation and recommended replacement]

Product discontinuation	Recommended replacement
E2F-X10Y1-53-US	E2F-X10Y1-53
	E2F-X10Y1-US
E2F-X10Y2-53-US	E2F-X10Y2-53
	E2F-X10Y2-US
E2F-X5Y1-53-US	E2F-X5Y1-53
	E2F-X5Y1-US
E2F-X5Y2-53-US	E2F-X5Y2-53
	E2F-X5Y2-US

[Wire connection]

Product discontinuation Model E2F-X[]Y[]-53-US	Recommendable replacement Model E2F-X[]Y[]-53 Model E2F-X[]Y[]-US
	

[Dimensions]

Product discontinuation Model E2F-X[]Y[]-53-US	Recommendable replacement Model E2F-X[]Y[]-53 Model E2F-X[]Y[]-US
	

[Characteristics]

Item	Product discontinuation Model E2F-X[]Y[]-53-US	Recommendable replacement Model E2F-X[]Y[]-53 Model E2F-X[]Y[]-US
Sensing distance	X5: 5 mm ±10% X10: 10 mm ±10%	
Setting distance	X5: 0 to 4 mm X10: 0 to 8 mm	
Differential distance	10% max.	
Sensing object	Ferrous metal	
Standard sensing object	X5: Iron, 18 × 18 × 1 mm X10: Iron, 30 × 30 × 1 mm	
Response frequency	25 Hz	
Power supply (Operating voltage range)	100 to 120 VAC ±10% 50/60 Hz	Type -53: 100 to 120 VAC ±10% 50/60 Hz Type -US: 24 to 240 VAC (20 to 264 VAC)
Leakage current	1.7 mA at 200 VAC	
Control output (Switching capacity)	5 to 300 mA	
Indicator lamp	Operation indicator (red LED)	
Operating status (with sensing object approaching)	Y1 models: NO Y2 models: NC	
Protective circuits	Short circuit protection	Type -53: Short circuit protection Type -US: None
Ambient temperature	Operating/Storage: -25°C to 70°C (with no icing or condensation)	
Ambient humidity	Operating/Storage: 35% to 95%RH	
Temperature influence	A maximum fluctuation of ±10% max. of sensing distance at 23°C in temperature range of -25°C and 70°C	
Voltage influence	±1% max. of sensing distance within a range of ±10% of rated power supply voltage	
Insulation resistance	50 MΩ min. (at 500 VDC) between current carry parts and case	
Dielectric strength	4,000 VAC, 50/60 Hz for 1 min between current carry parts and case	
Vibration resistance	10 to 55 Hz, 1.5-mm double amplitude for 2 hours each in X, Y, and Z directions	
Shock resistance	Destruction: 1,000 m/s ² for 10 times each in X, Y, and Z directions	
Protective structure	IEC IP68	
Connection method	Pre-wired models (standard length: 2 m)	
Weight (Packed state)	X5: Approx. 130 g X10: Approx. 170 g	
Material	Case	Polyarylate
	Sensing surface	
	Clamping nut	
Accessories	Instruction manual	

Specifications and prices in this product news are as of the issue date and are subject to change without notice. Only main changes in specifications are described in this document. Please be sure to read the relevant catalogs, datasheets, product specifications, instructions, and manuals for precautions and necessary information when using products.